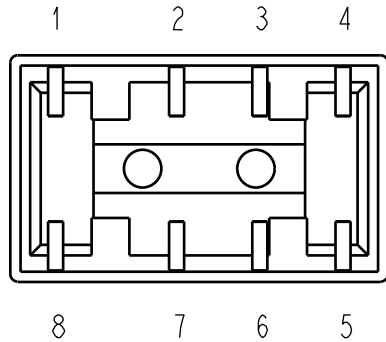
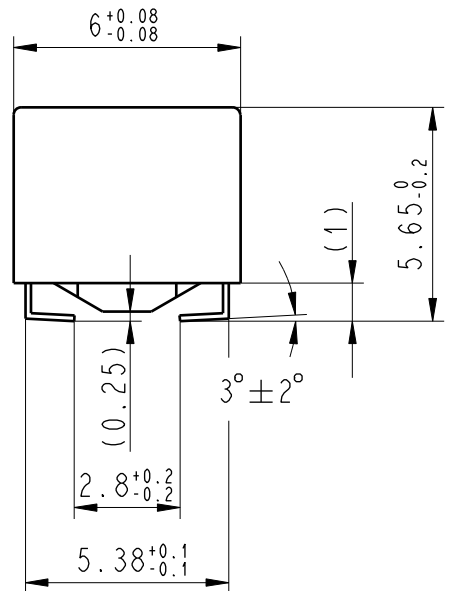
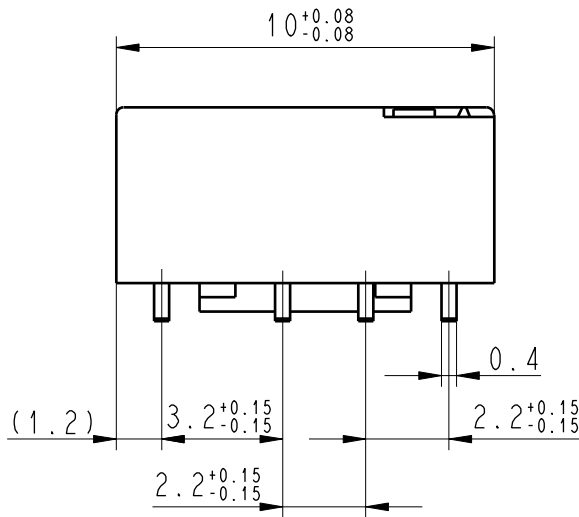


LOC	DIST	REVISIONS					
		P	LTR	DESCRIPTION	DATE	DWN	APVD
HJ	-		A4	Doc change E2001-DOK02 to C-1462037-3	08DEC2003	CW	HD
			A5	change marking	24JUL2006	UKo	HD
			A6	new bottom view	28Jul2006	UKo	HD



Relay - bottom view



Coplanarity <0.10mm



XX = Relay type  
ZZ = nominal voltage  
YYWW = Date code

DRAWING ALIAS	E2001-DOK02
---------------	-------------

RELEASED FOR PUBLICATION 2000

THIS DRAWING IS UNPUBLISHED.

© COPYRIGHT 2000 BY TYCO ELECTRONICS CORPORATION. ALL RIGHTS RESERVED.

DIMENSIONS: mm	DWN	UKo 9193	08Aug1998	MATERIAL	-	FINISH	-
	CHK	HD 9121	08Aug1998	tyco Electronics AXICOM AG CH - 8804 Au ZH			
TOLERANCES UNLESS OTHERWISE SPECIFIED: DIN 7168-m	APVD	HD 9121	08Aug1998	NAME			
	PRODUCT SPEC			IM-Relay SMT J-Legs Dimensions			
0 PLC ±-	APPLICATION SPEC			SIZE	CAGE CODE	DRAWING NO	RESTRICTED TO
1 PLC ±-	-			A4	00779	C-1462037-3	-
2 PLC ±-	-			CUSTOMER DRAWING			
3 PLC ±-	-			SCALE	5:1	SHEET 1 OF 1	REV A6
4 PLC ±-	-						
ANGLES ±-	-						

